

recycle right newsletter

A publication helping Western Australians to reduce their household waste, recycle right and live more sustainably.



WHICH BIN? TIPS DURING COVID-19 PANDEMIC TO HELP YOU TO RECYCLE RIGHT

In these changing times, hygiene is critically important. If you are currently suffering from COVID-19, please double bag your tissues and place them in your general waste bin.

Tissues and paper towels contaminate the recycling streams so please never place them in the yellow-topped bin. If you live in the Cities of Melville, Fremantle or Town of East Fremantle, tissues can be placed in your lime green topped FOGO bin where it will be turned into compost. Otherwise, please place tissues in your general waste bin.

Some residents may also be using masks and gloves at this time. Please do not litter, but instead place these items in your general waste bin.



BIN ISOLATION OUTING CRAZE

Originally begun as a joke between friends in Queensland, the 'Bin Isolation Outing' Facebook group [facebook.com/groups/306002627033697/](https://www.facebook.com/groups/306002627033697/) has gone viral and now has over 1 million members worldwide and counting! The group was set up because during the Covid-19 isolation period, the bins do in fact go out more than we do. So why not dress up for the occasion? There have been some great photos and complete film productions. At Recycle Right, we also jumped on the #BinIsolationOuting bandwagon with Smooch the compost cat!!



Now the most interesting day of the week, who else is dressing up for bin day?

#StayHome #RecycleRight #BinOuting

LIKE US ON FACEBOOK FOR MORE NEWS, TIPS AND TRICKS ON ALL THINGS WASTE, RECYCLING AND SUSTAINABILITY!



recycle[®]
right

newsletter

RRRC COMMUNITY TOUR

Tours of our Regional Resource Recovery Centre (RRRC) are currently postponed due to Covid-19. We hope to start them up as soon as group gathering restrictions are lifted.

In the meantime, if you would like to see what happens to your recycling bin once it leaves the kerb, why not join our Recycle Right Facebook group ([facebook.com/RecycleRightWA/](https://www.facebook.com/RecycleRightWA/)) to view some behind the scenes videos from the Material Recovery Facility (MRF)



GIVEAWAY!

Purearth

WIN A CUBIC METER OF FOGO COMPOST THIS MAY

May is the month to compost! Get your hands dirty and find out more about compost. From backyard worm farms and compost bins to large scale composting processes, recycling and reuse is far more than just your recycling bin.

In the Southern Metropolitan Region, the contents of your FOGO bin get turned into compost by our partners at Purearth.



To celebrate Compost in May, we have a draw to win 1 cubic meter of FOGO compost from the SMRC's compost partner Purearth! To enter the draw make sure to 'Like' @RecycleRightWA on Facebook, share the above image from the Recycle Right WA Facebook page and tag 3 friends.

Closing date Monday 25 May. For terms and conditions, please visit <https://bit.ly/2W9Hhqq>



**recycle[®]
right**

newsletter

CONTAINERS FOR CHANGE LAUNCH POSTPONED

WA's Container Deposit Scheme was scheduled to kick off on 2 June but has now been postponed due to the impacts of COVID-19. The State Government will undertake a review in August to determine whether the scheme should commence in November 2020 or June 2021.

Once introduced, WA residents will be able to drop off empty bottles, cans and cartons at refund points, and claim a 10-cent refund for each one. Eligible containers include most aluminium, glass, plastic, steel and liquid paperboard beverage containers which are typically consumed outside the home. The introduction of container deposits schemes in other states have resulted in a dramatic reduction in litter and a huge increase in recycling rates.

For more information visit the Containers for Change website containersforchange.com.au/wa
Watch this space!

MOTHER'S DAY

This Mother's Day, Sunday 10 May, why not make your Mum a waste-free or upcycled gift? Here are some ideas:



Coffee Cup Plant Pot

snapguide.com/guides/upcycle-a-paper-coffee-cup-and-sleeve/



Milk Jug Planter

balconydecoration.com/diy-face-shaped-painted-plastic-bottle-planters/



T-Shirt Tote Bag

<https://youtu.be/JGdzXelSJFo>



Braided Rag Rug

apieceofrainbow.com/make-rag-rug-from-old-t-shirts/



Egg Carton Flowers

<https://www.thecrafttrain.com/egg-carton-flowers/>



Stencilled Mason Jar Vase

oopseydaisyblog.com/2012/04/stencilled-mason-jar-vase-for-mothers-day.html



recycle[®]
right

newsletter



RECYCLE RIGHT RESOURCES TO HELP YOU

Our new Recycle Right website and App (re-launched in November 2019) continues to help you—the people of Perth—to Recycle Right. Information on both the app and website is tailored to the full assortment of bin systems found in the Perth metropolitan area: 3-bin FOGO (Food Organics, Garden Organics), 3-bin GO (Garden Organics) and 2-bin. Visit recycleright.wa.gov.au/ to find out what goes in which bin, access an ever-growing A-Z list of items and what to do with them, Find My Nearest database of drop-off locations and Bin Day Reminders to alert you on your bin days.

The website also provides a Resources Hub of educational worksheets, how-to guides, fact sheets and templates.



#BinThankful CAMPAIGN LAUNCHED!

The average Australian produces over 2 tonnes of waste every year, that's roughly 40Kg of waste per week. Can you imagine that building up if we didn't have our amazing waste truck drivers collecting it for us?!

We'd like to give a shout out to waste truck drivers everywhere and say a huge thank you for their continued efforts to keep up this essential service during these tough times.

How to get involved:

1. Write a thank you note to your local waste truck driver (or download one of our templates here: recycleright.wa.gov.au/templates/)
2. Stick it on your bin on your collection day
3. Take a photo
4. Post to Facebook with #BinThankful and #RecycleRight

We'll be regularly sharing a sample of your posts and messages to our waste truck drivers on the Recycle Right WA Facebook page.

Let's put a smile on their faces and show them just how much they are appreciated!

LIKE US ON FACEBOOK FOR MORE NEWS, TIPS AND TRICKS ON ALL THINGS WASTE, RECYCLING AND SUSTAINABILITY!



SUPPORTED BY



through the Waste Avoidance and Resource Recovery Account

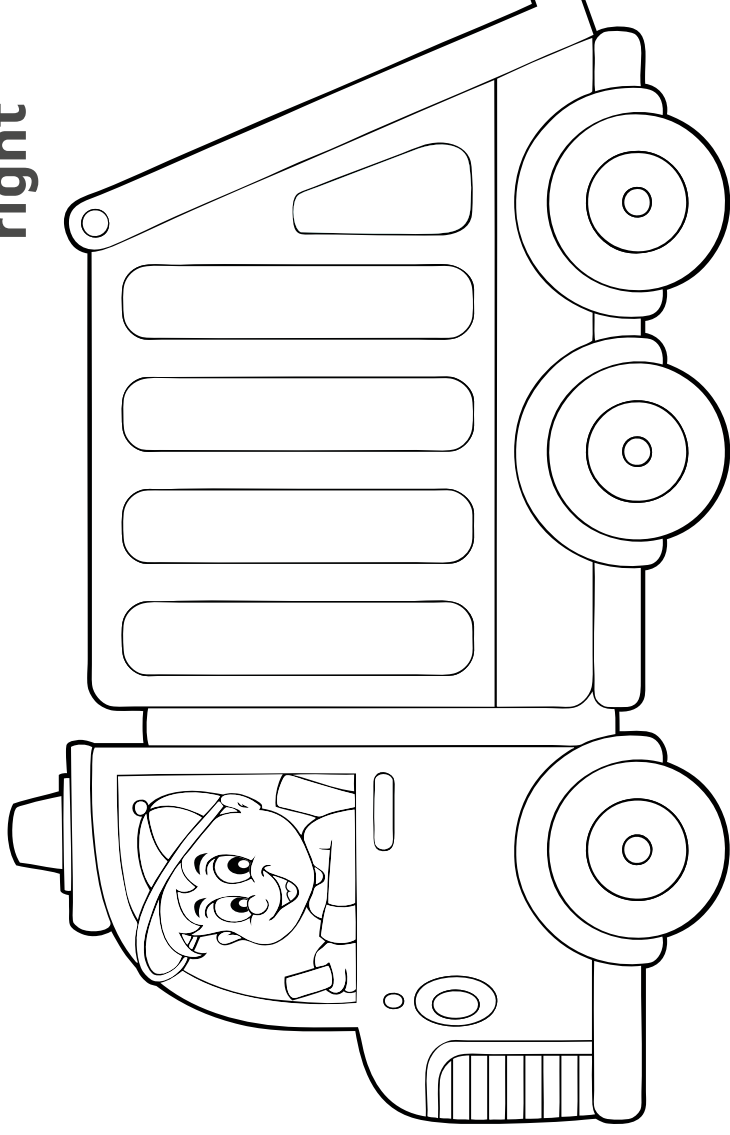


TRUCK DRIVERS
FOR COLLECTING OUR BINS



To find out what goes in which bin, visit recycleright.wa.gov.au or get the Recycle Right app

thank
YOU



TRUCK DRIVERS
FOR COLLECTING OUR BINS

To find out what goes in which bin, visit recyclerright.wa.gov.au or get the Recycle Right app